

Part Information			
NAME INSP_308_boitier_derive_200512			PRINT COMPLETION Dec 5, 2023 6:00 AM
COMPOSITE MATERIAL Onyx	REINFORCEMENT MATERIAL Carbon Fiber	FILL PATTERN TRI	FILL DENSITY 37%
COMPOSITE VOLUME 67.20 cm ³	REINFORCEMENT VOLUME 5.95 cm ³	LAYER HEIGHT 0.125 mm	PART DIMENSIONS 216.5mm x 43.7mm x 30.6mm
PART NOTES ---		INSTANCE NOTES ---	

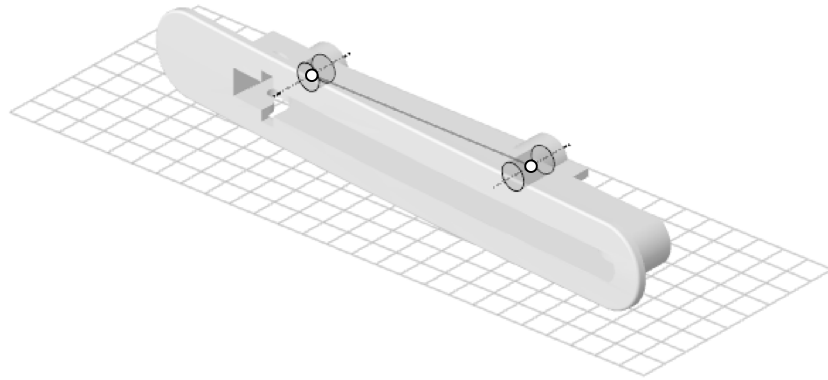
Scan Point Distribution	
DEVIATION HISTOGRAM	
SCAN RESOLUTION Medium	SCAN DATE Dec 5, 2023 6:00 AM
MEAN -21.1 µm	STANDARD DEVIATION 51.4 µm

Process Control	
PRINTER NAME X7 MASSY	PRINTER GROUP ---
PRINTER TYPE X7	MOST RECENT CALIBRATION DATE Aug 21, 2023 5:34 PM
DEVICE ID a54b5186-2d2f-46e0-bb00-5f874454b6bd	CALIBRATION REFERENCE BED ID 16574C00660321
AMBIENT CONDITIONS DISCLAIMER Scans are accurate under active printing conditions. Typical printing conditions include a build chamber slightly above room temperature, a closed print visor, and dry material.	

Notes

Measurement A

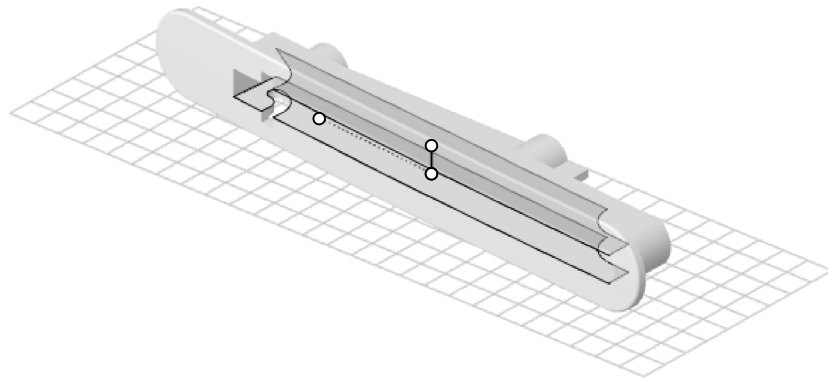
Distance from centerline to centerline

NOMINAL
90.00 mmMEASURED
89.99 mmDEVIATION
-0.01 mm

PASS/FAIL

Measurement B

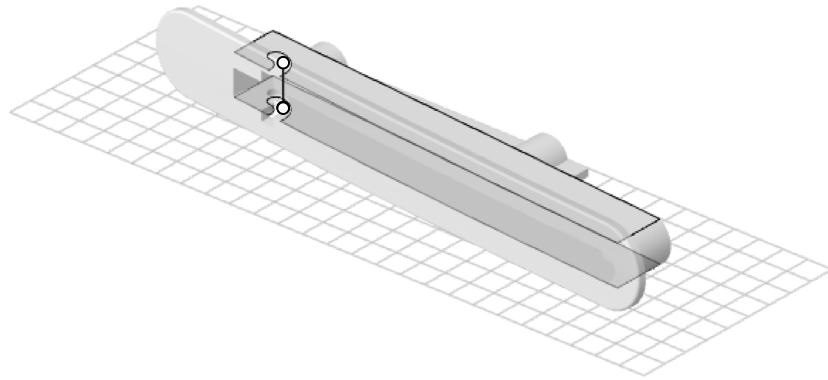
Average Distance (Parallel)

NOMINAL
10.00 mmMEASURED
9.89 mmDEVIATION
-0.11 mm

PASS/FAIL

Measurement C

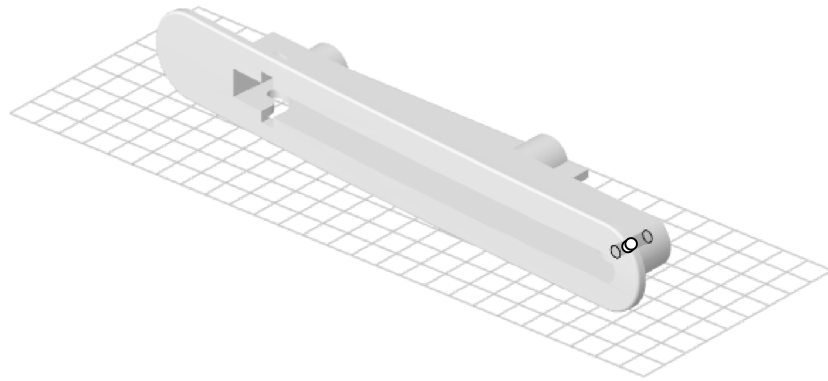
Average Distance (Parallel)



NOMINAL	MEASURED	DEVIATION	PASS/FAIL
16.00 mm	15.97 mm	-0.03 mm	

Measurement D

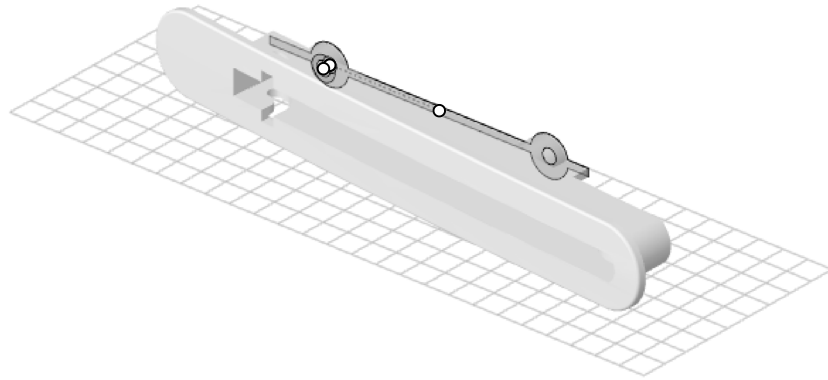
Radius



NOMINAL	MEASURED	DEVIATION	PASS/FAIL
2.03 mm	2.02 mm	-0.01 mm	

Measurement E

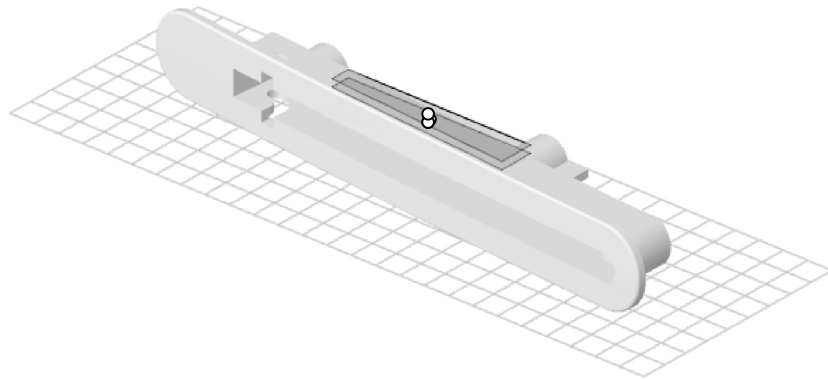
Average Distance (Parallel)

NOMINAL
3.00 mmMEASURED
3.09 mmDEVIATION
+0.09 mm

PASS/FAIL

Measurement F

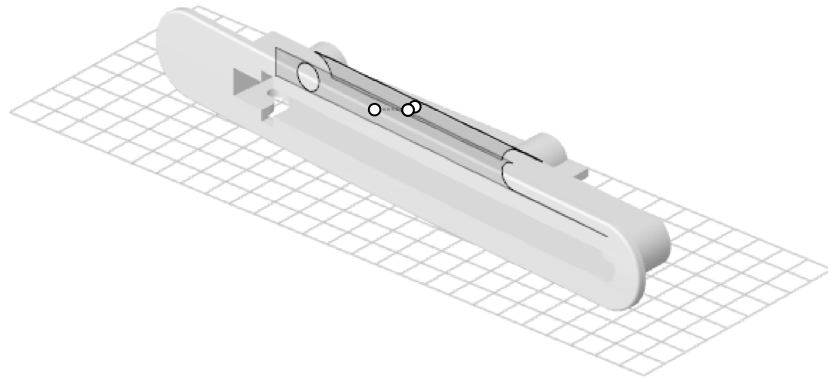
Average Distance (Parallel)

NOMINAL
2.93 mmMEASURED
2.81 mmDEVIATION
-0.12 mm

PASS/FAIL

Measurement G

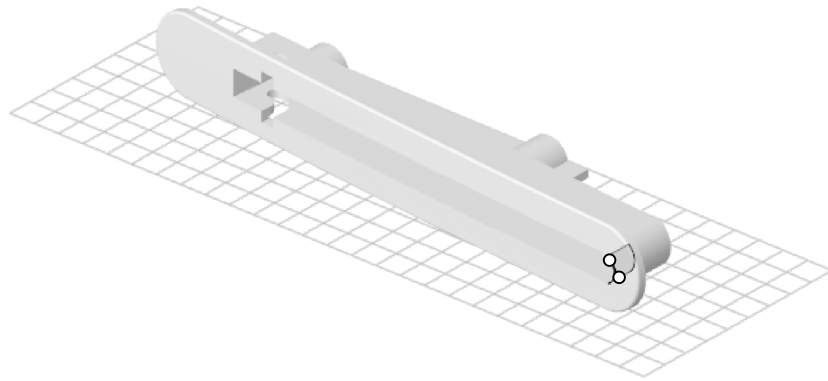
Average Distance (Parallel)



NOMINAL	MEASURED	DEVIATION	PASS/FAIL
3.00 mm	2.95 mm	-0.05 mm	

Measurement H

Radius



NOMINAL	MEASURED	DEVIATION	PASS/FAIL
6.12 mm	6.18 mm	+0.05 mm	